

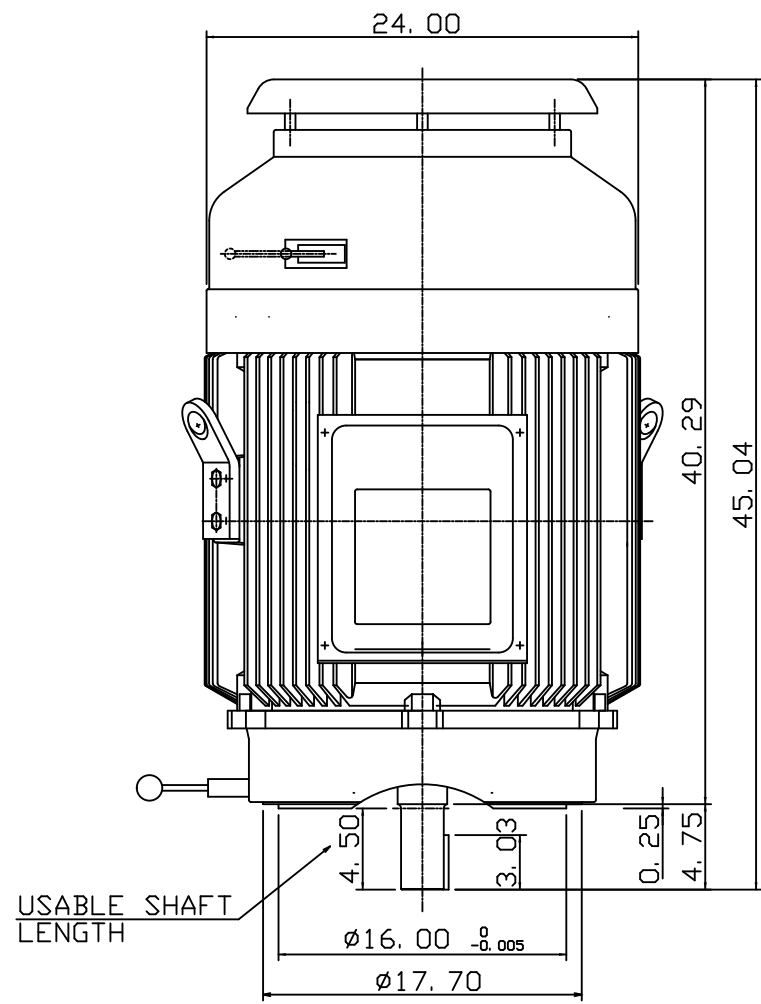
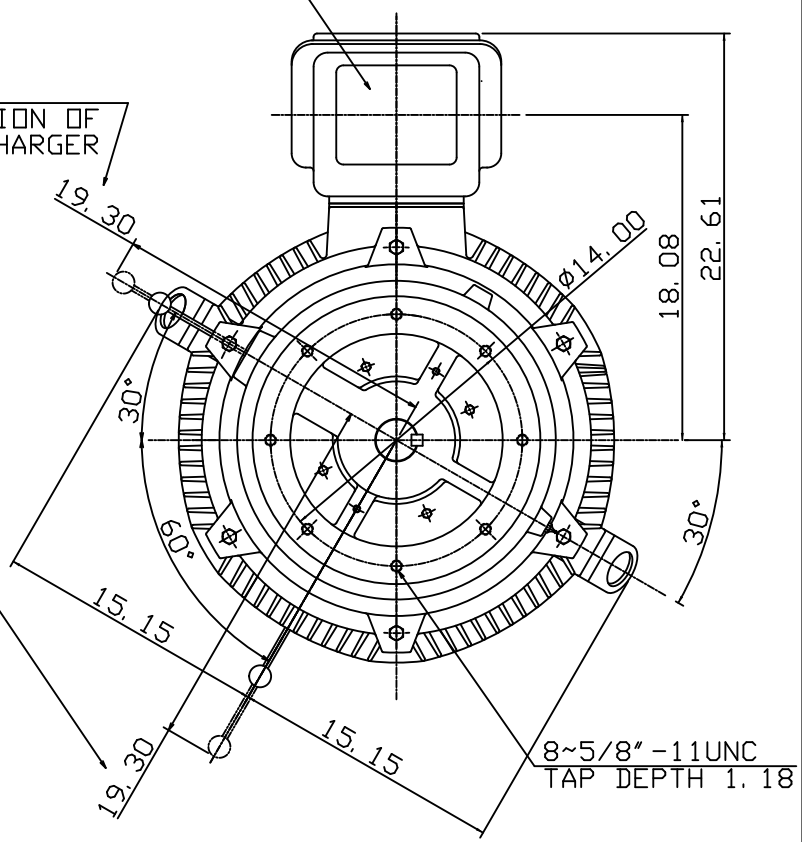
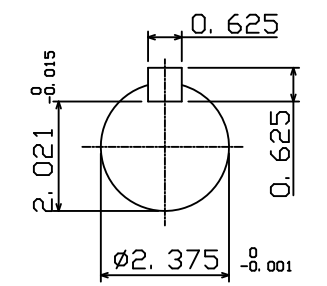
11 10 9 8 7 6 5 4 3 2 1

POLE	HP	KW	Hz	VOLT	RPM	INS.	RATING	DIMENSIONS	WEIGHT	BEARINGS
2	150	112	60	460	3600	F	CONT.	INCH	1515 LBS.	DE: 6314C3 NDE: 6314C3

PRIMARY T-BOX

DRIVE END  
GRIP EXTENSION OF  
GREASE DISCHARGER

NON DRIVE END  
GRIP EXTENSION OF  
GREASE DISCHARGER



NOTE:  
1. FOR DIRECT FLEXIBLE COUPLING  
2. ENCLOSURE: IP54 PROTECTION

OUTLINE DIMENSIONS 3-PHASE INDUCTION MOTOR			
TYPE	AEUH8P-CF	FRAME	EHV-445TSC
CATALOG NO.	NPV1504C	DATE	042919

DWN.	C. COOK	04-29-19

**TEC Westinghouse**      DWG NO. NPV1504C

11 10 9 8 7 6 5 4 3 2 1